

# 100-40210

## 28 Volts 475 Amps

### PRODUCT SPECIFICATIONS

Part Number	100-40210
System Voltage	24V
Rated Output	475A
Output @ 2000 rpm	300A
Ground	Negative
Mounting	Cradle
Rotation	Bidirectional
Temperature limits	Low - 40°C / -40°F High 93°C / 200°F (with air precleaner) High 100°C / 230°C (with fresh air intake hose)
Speed Limits	7000 RPM continuous 8000 RPM intermittent
Coating	Corrosion-Resistant E-Coated
Weight	94.0lbs/42.5kg
Regulator	Remote
Relay/AC	M5 Terminal
L/Run (Signal)	M6 Terminal

#### ACCESSORIES:

- Remote Voltage Regulator # 3500-50251
- Air Precleaner # 4800-2101
- Oil Line Cap Kit # 4900-5000  
(oil cooled to air cooled conversion)

#### RECOMMENDED FOR:

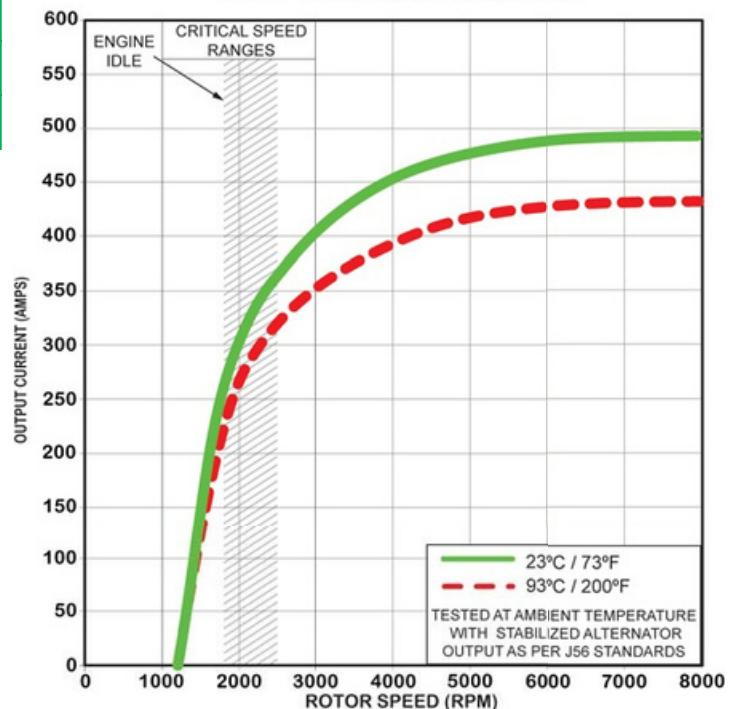
- Transit Bus
- Motor Coach
- Marine
- Mining
- Industrial



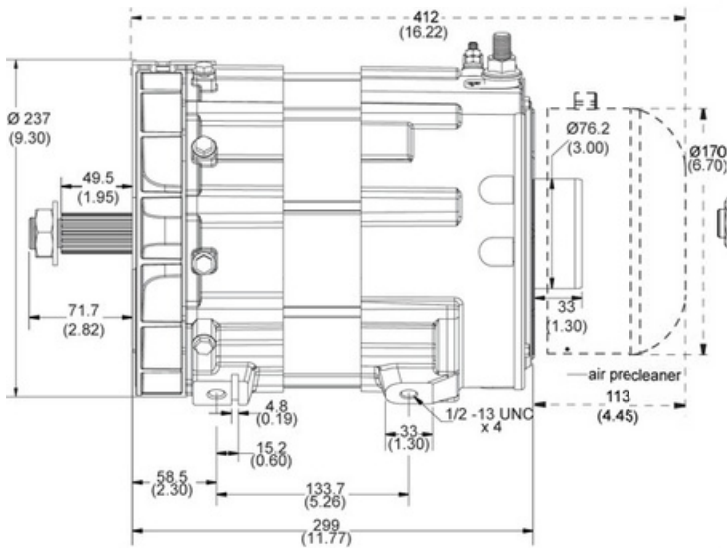
#### NOTE:

*This DelStar alternator, meets the marine requirements for Ignition Protection on gas or diesel engines of ISO 8846, USCG, stated in Title 33 CFR 183.410, SAE J1171 and International CE Standards.*

#### PERFORMANCE CURVES

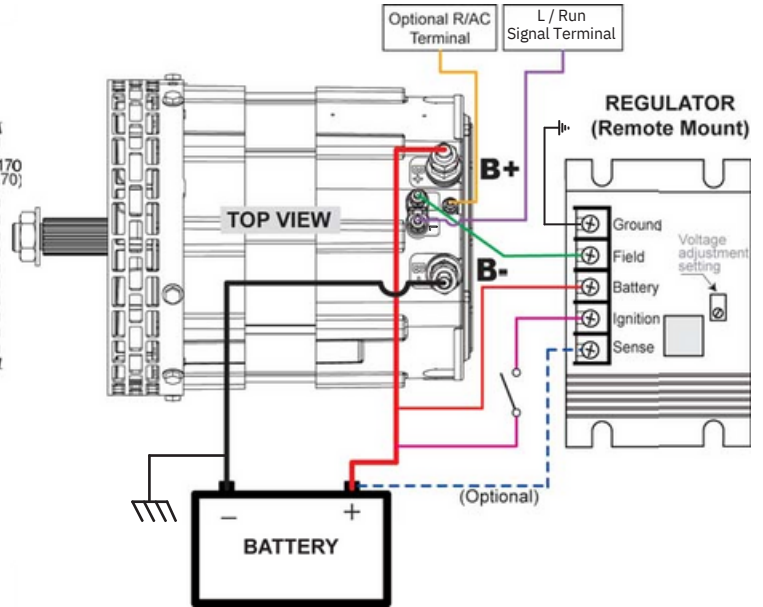


### OUTLINE



Dimensions are listed in mm over (in)

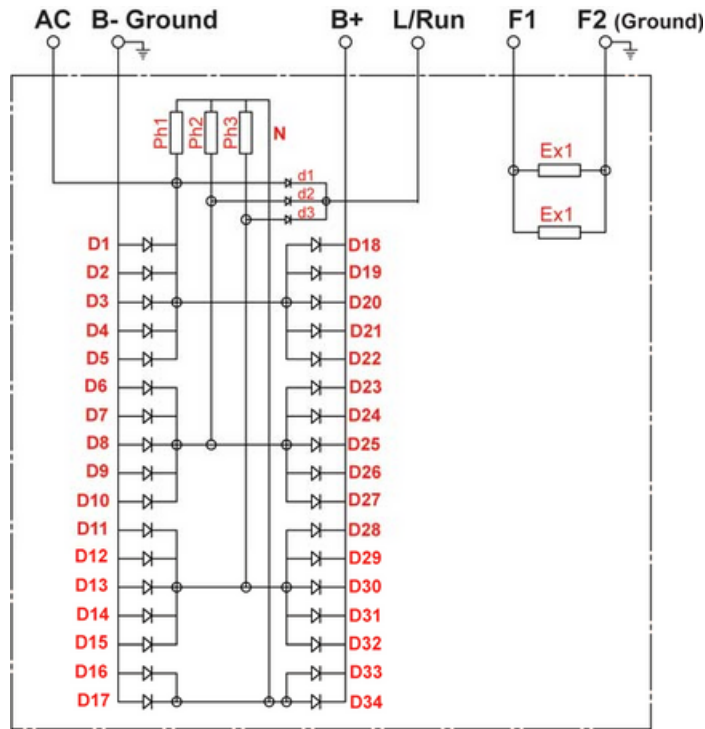
### CONNECTIONS



## 100-40210

28 Volts 475 Amps

### ELECTRICAL SCHEMATIC



DISTRIBUTED BY:



CONTACT INFORMATION:

Keystone Alternators & Starters  
101 Simona Drive  
Bolton, Ontario, L7E 4E8

Tel: (416) 241 4488  
E-mail: sales@keystonealternators.com  
Website: keystonealternators.com