



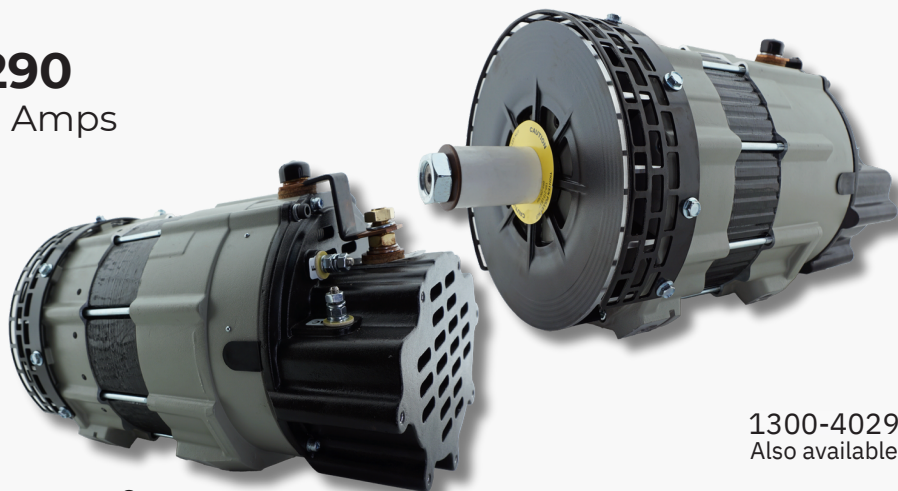
# HD BRUSHLESS

**DelStar**

SERIES 300

**1300-40290**

28 Volts, 330 Amps



1300-40291-D  
Also available with cables bracket

**Drop In Replacement for:**  
50DN™ Type

## PRODUCT SPECIFICATIONS

<b>Part Number</b>	1300-40290, 1300-40291* (*with cable bracket)
<b>System Voltage</b>	24V
<b>Rated Output</b>	333A
<b>Output @ 2000 rpm</b>	225A
<b>Ground</b>	Negative
<b>Mounting</b>	Cradle
<b>Rotation</b>	Bidirectional
<b>Temperature limits</b>	Low - 40°C / -40°F High 93°C / 200°F
<b>Speed Limits</b>	7000 RPM continuous 8000 RPM intermittent
<b>Coating</b>	Corrosion-Resistant E-Coated
<b>Weight</b>	83.7lbs/38kg
<b>Regulator</b>	Remote
<b>Relay/AC</b>	1/4-28 Terminal

- LIGHTER & SMALLER
- UP TO 20% MORE AMPS AT ALL CRITICAL SPEED RANGES
- A PERFECT DROP-IN FOR ALL CRADLE MOUNT APPLICATIONS
- SIMPLE TO SERVICE AND UP TO 65% LESS TIME REQUIRED

### RECOMMENDED FOR:

- Coach & Transit Busses
- Marine
- Mining
- Construction
- Industrial

### NOTE:

This DelStar 1300-40290 alternator, meets the marine requirements for Ignition Protection on gas or diesel engines of ISO 8846, USCG, stated in Title 33 CFR 183.410, SAE J1171 and International CE Standards.

### ACCESSORIES:

**Oil Line Cap Kit #4900-5000**  
(oil cooled to air cooled conversion)

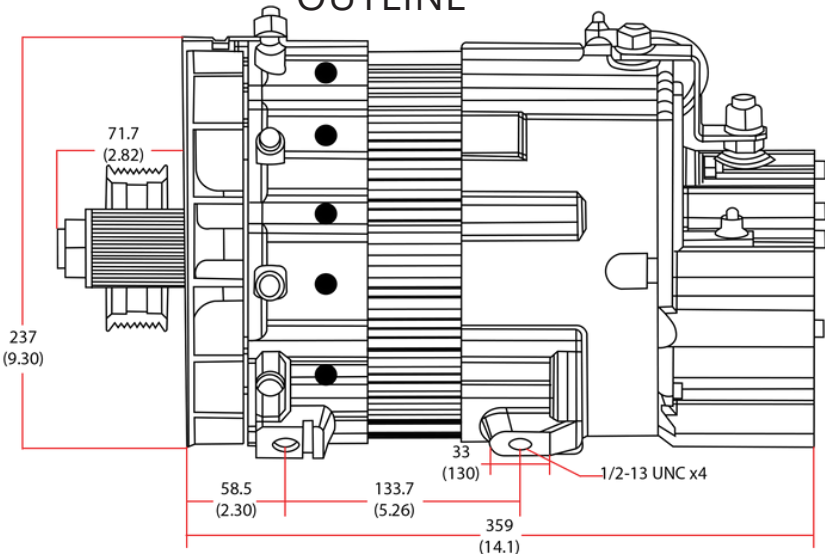


# ALTERNATORS

**DelStar®**

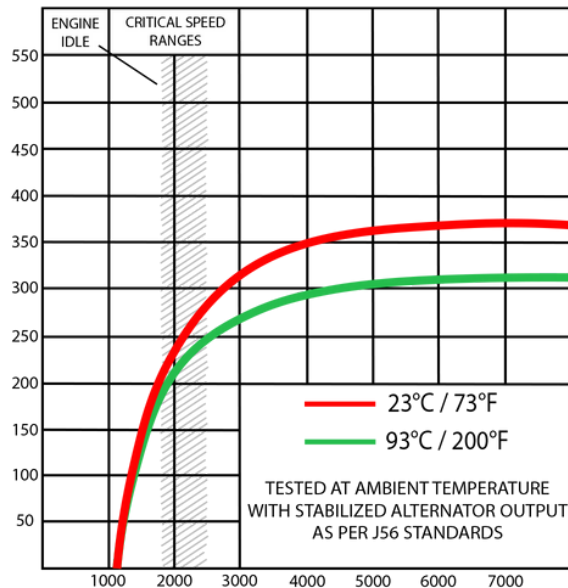
SERIES 300

## OUTLINE



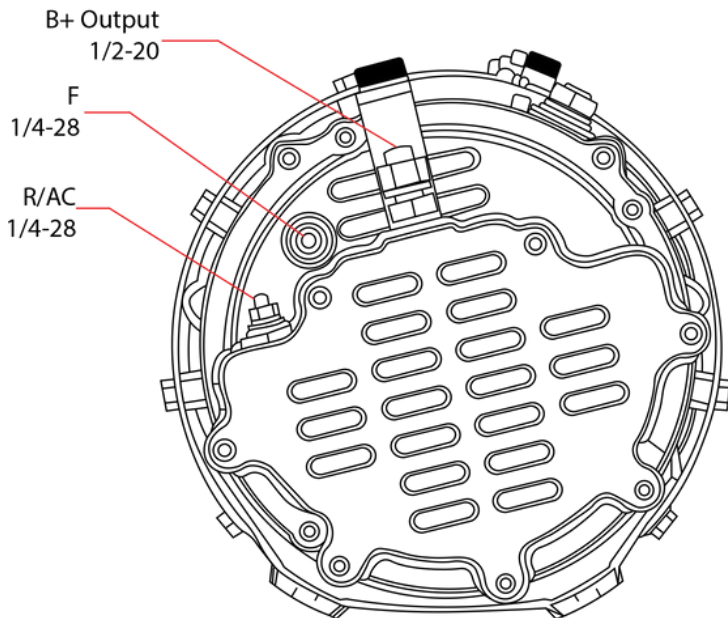
Dimensions are listed in mm over (in)

## PERFORMANCE CURVES

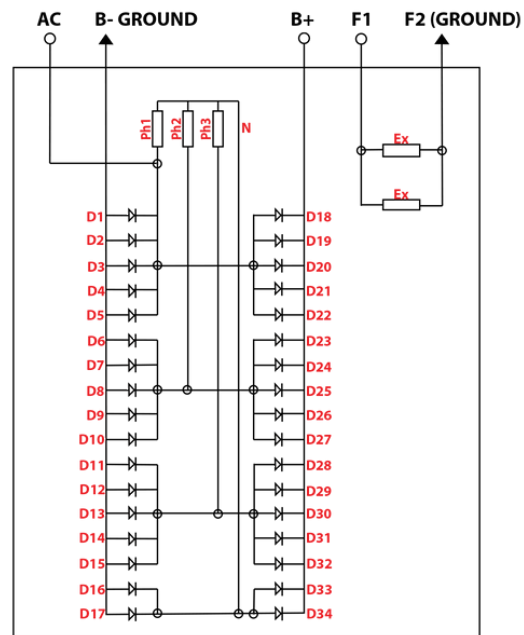


1300-40290  
24 Volts, 330 Amps

## CONNECTIONS



## ELECTRICAL SCHEMATIC



DISTRIBUTED BY:



CONTACT INFORMATION:

Keystone Alternators & Starters  
101 Simona Drive  
Bolton, Ontario, L7E 4E8

Tel: (416) 241 4488  
E-mail: sales@keystonealternators.com  
Website: keystonealternators.com